



# Phoenix III

Full Power Exam Chair

**JEDMED**

# Phoenix III Patient Exam Chair

Full Power

3 Programmable Settings

Powerful Lifting Capability

Comfortable & Stylish

Made in the USA

The Phoenix III Full Power Exam Chair was specifically designed with the Head & Neck specialist in mind. The chair utilizes industrial strength motors, solid steel construction, and modern engineering to meet the demands of your busy practice. The chair is designed to be comfortable for the patient yet functional for the physician. From its conveniently located low voltage membrane switches to its powerful lift capabilities, the Phoenix III Chair is designed to meet your specific needs. The Phoenix III Chair, designed and manufactured in the USA, will provide you many years of trouble free service.





## Modern Engineering.....Easy to Operate.....Built to Last

The new and improved Phoenix III has the form and function tailored to your demands and patient comfort. Stability and reliability are achieved through solid steel construction, proven engineering, and industrial strength motors ensure top notch performance under the most challenging situations.



An electro-mechanical drive system controls all functions of the chair with the push of a button. This chair uses state-of-the-art electronics, reliable low voltage DC motors, and all-steel construction. Permanent lubricated ball bearings allow for smooth 360° rotation with convenient lock releases located on both sides of the chair.



All chair functions are controlled by low voltage membrane switches. Chair functions include: vertical height adjustment, recline, 3 programmable positions, and an auto-return feature. The membrane switches are conveniently located on both sides of the chair back.



A specially designed cantilever base allows the chair to start low (21" from floor) to accommodate a physician that sits, and raises enough (35" from floor) to accommodate a physician that stands. The base provides a very stable foundation and its narrow design allows a stool to roll in close.







## Flexibility.....Comfort.....Stability

The Phoenix III Exam Chair was designed with the physician and patient's needs in mind. From our multiple headrest options to its 3 programmable settings, the Phoenix III Chair will meet your demands for functionality and access while meeting the patient's demands for comfort and security.



The optional fully articulating headrest gives you more flexibility for procedures that require the head be in a specific position. Once the headrest is in the desired position it can be securely locked, keeping the patient's head in a stable position during a procedure.



The Phoenix III Chair armrests will drop down out of the way allowing easy entry and exit for the patient. This feature is also useful in procedures that require the physician to be very close to the patient.



The footrest provides comfort and support for the patient's feet during an examination or procedure. When the chair is fully reclined the footrest is synchronized to keep the patient stable, secure, and comfortable. It can also be flipped up and out of the way for easier physician access.

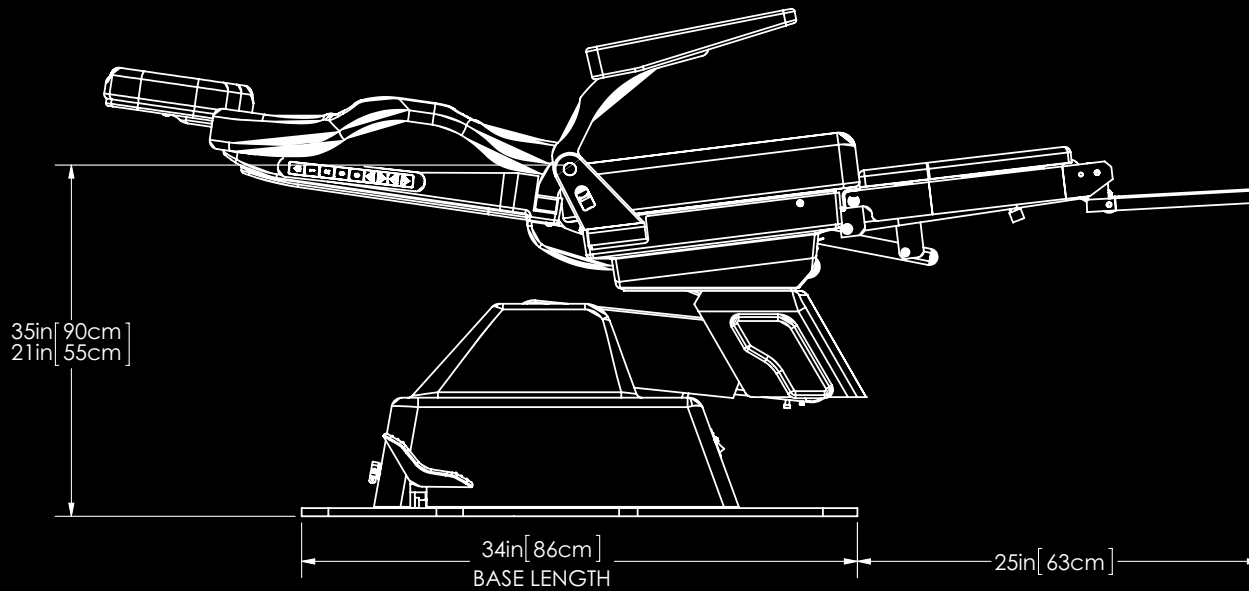
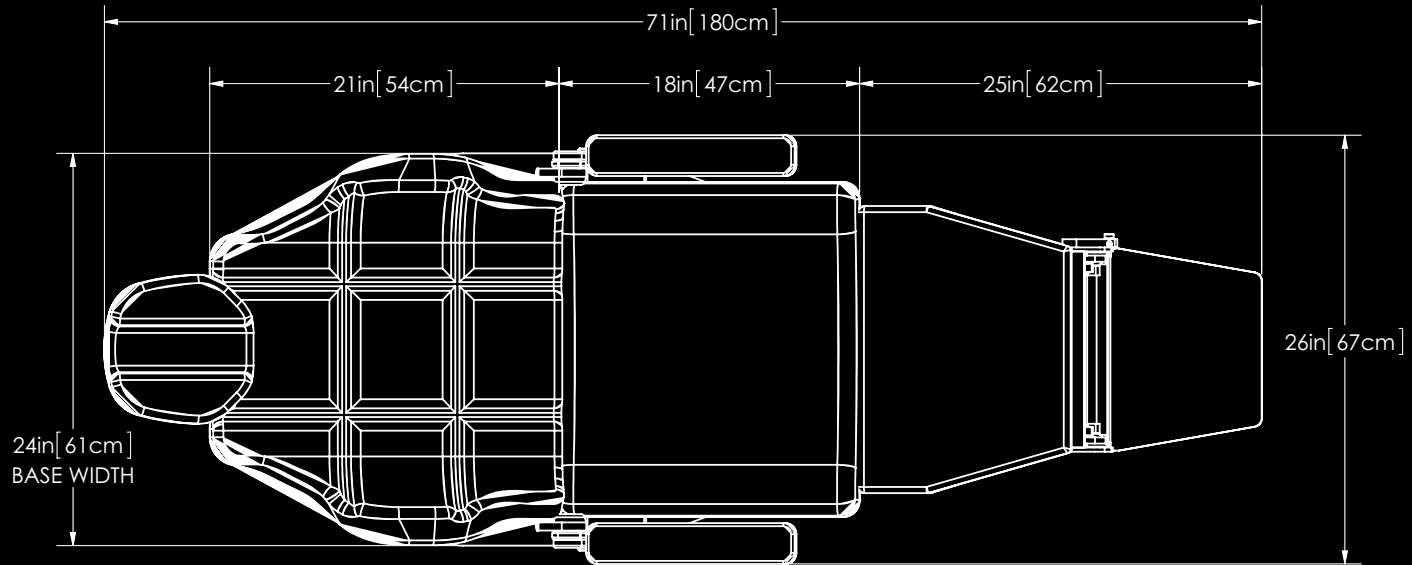


## Minor Procedure Capabilities

The Phoenix III Chair fully reclines to a flat position for minor procedure applications. Specifically designed “wings” on the backrest provide support for the patient’s arms comfortably at their sides. An ergonomically designed lumbar support adds to the patient’s comfort while keeping the head properly positioned for easy access.



# Specifications





**JEDMED**

5416 JEDMED Court • St. Louis, MO 63129-2221  
(314) 845-3770 • Fax (314) 845-3771  
[www.jedmed.com](http://www.jedmed.com) • [info@jedmed.com](mailto:info@jedmed.com)